

**KITO**

# Lever Hoist LX Model

250 kg and 500 kg

**The Small One**  
for work in tight  
quarters



- > **Aluminium body**  
extremely lightweight  
and compact, only  
1,7 kg net weight  
(LX003)
- > **Safetyguards**  
against accidental  
freewheeling under  
load
- > **Effortless handling**  
smooth geared  
mechanism, 2 mm  
lift per click
- > **Short lever**  
only 150 mm (LX003)

**Made in Japan!**



[www.kito.net](http://www.kito.net)

Kito Europe GmbH  
 Heerdter Lohweg 93  
 D-40549 Düsseldorf  
 Tel. + 49 (0) 211 - 52 80 09 - 0  
 Fax + 49 (0) 211 - 52 80 09 - 59  
 info@kito.net  
 www.kito.net

**Freewheel chain  
 adjusting mechanism**

**Easy to maintain**  
 Corrosion resistant  
 and long-lasting

**Nickel plated load chain**  
 grade 100 (V) (1000 N/mm<sup>2</sup>),  
 in accordance with standard  
 EN 818-7

**Hook latch with safety tip**



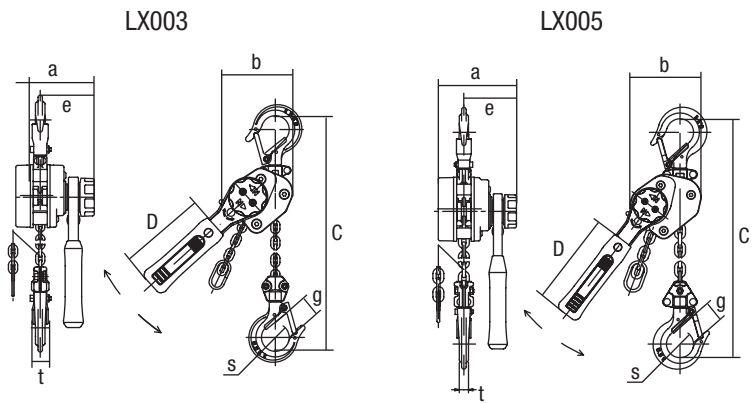
Mit Sicherheit das Original



**Options:** Carrying case for Model LX003

Dimensions  
(mm)

	LX003	LX005
a	90,5	102,0
b	73,5	93,0
C	205,0	246,0
D	150,0	180,0
e	62,0	68,0
g	21,0	24,5
s	32,0	35,5
t	11,0	12,0



Technical data		
Type	LX003	LX005
Capacity, kg	250	500
Standard lift, m	1,5	1,5
Hand pull to lift full load, daN	20	31
Load chain diameter, mm	3,2 x 9,0	4,3 x 12,0
Chain fall	1	1
Net weight, kg	1,7	2,7
Test weight, kg	380	750
Weight for additional 1 m lift, kg	0,2	0,4

Disclaimer:  
 KITO does not assume liability for inappropriate usage of products.  
 Operating instructions must be followed at all times.  
 Subject to technical change, misprint and errors.

Contact  
 Kito Europe GmbH / Heerdter Lohweg 93 / D-40549 Düsseldorf  
 Tel. +49 (0) 211 / 52 80 09 - 0 / Fax +49 (0) 211 / 52 80 09 - 59  
 info@kito.net / www.kito.net