

1

2

3

4

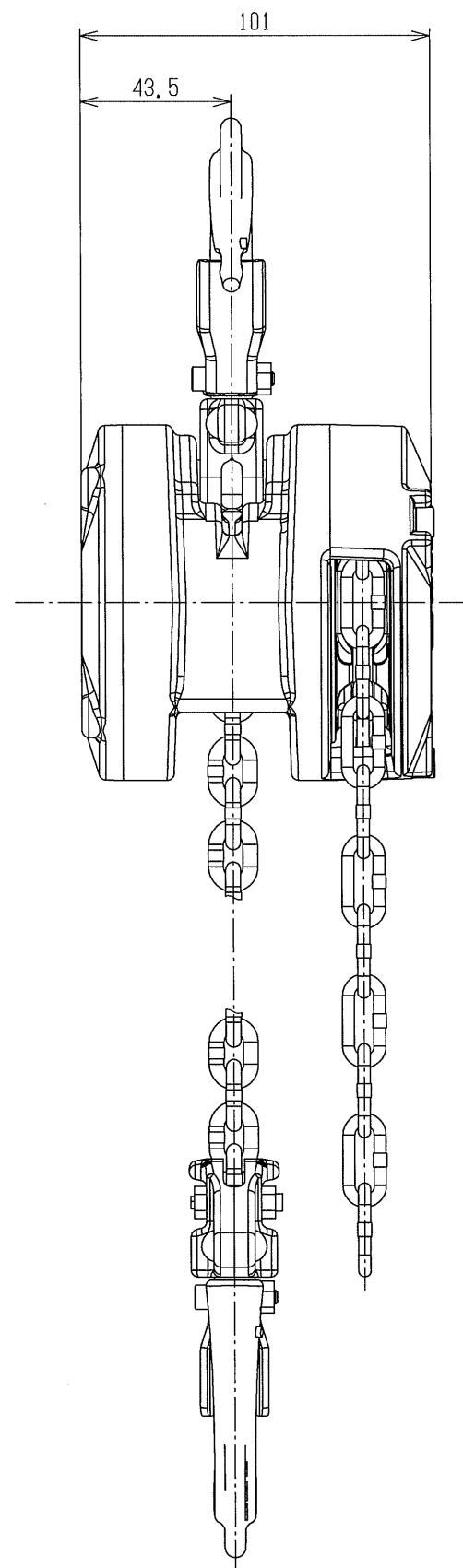
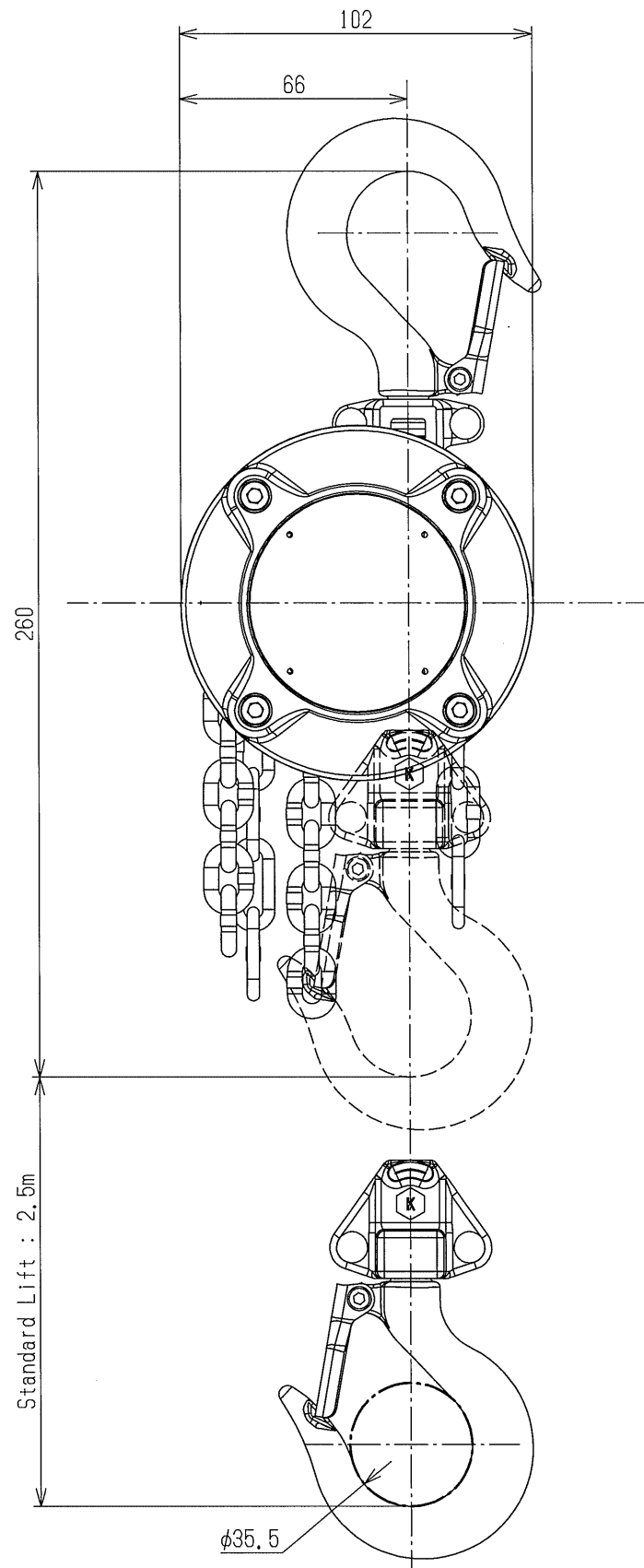
5

6

7

8

9



Specifications

Body	Aluminum Body	A
Net weight	4.5kg	
Pull to lift load	19kg	B
Hand chain length for hoisting load by 1m	42.8m	
Load chain	φ4.3x12.1(Same as LX)	B
Hook	Same as LX	
Hand chain	Steel - Zi Plated φ3.5x20	C
OLL	Standard	

REV.	QTY	C O N T E N T S			DATE	DRAWN	APPROVED

NOTE					MATERIAL	CODE
					WEIGHT	TITLE
					DWG. NO.	CX500kg
APPROVED	CHECKED	DESIGNED	DRAWN	SCALE		
				1:2		